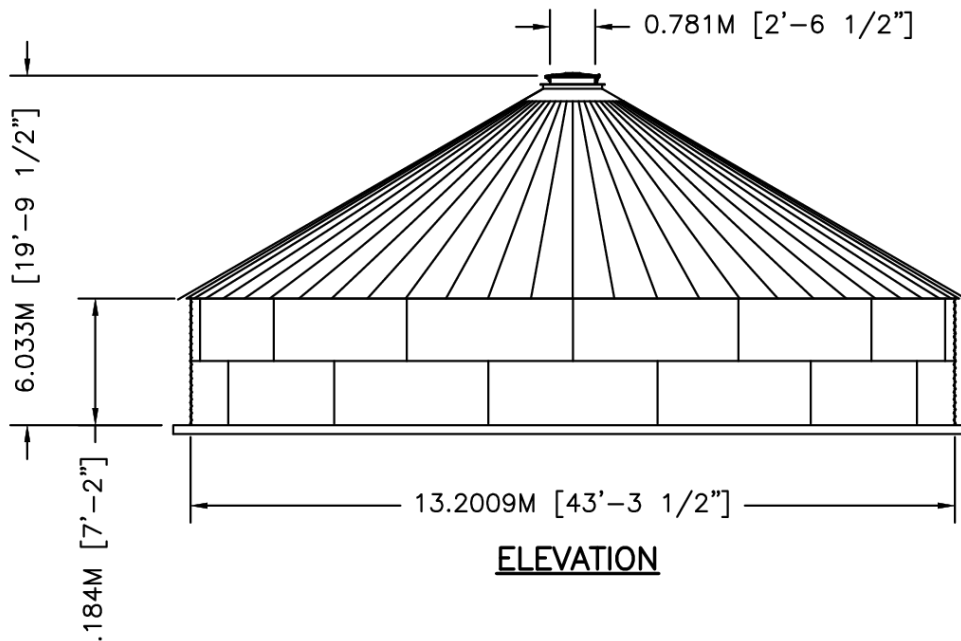


PLAN



ELEVATION



	BY	DATE	TITLE
DWN	XXX	XX/XX/XX	WTU14-02 30"PR 30DEG V-RIB
CKD			NOMINAL CAPACITY - 281.589 M3 [74,388 GAL]
ENG			DWG. NO. SCT4302-VR WTU14-02
			REV. NO.
SIZE:	SCALE:		SHEET OF